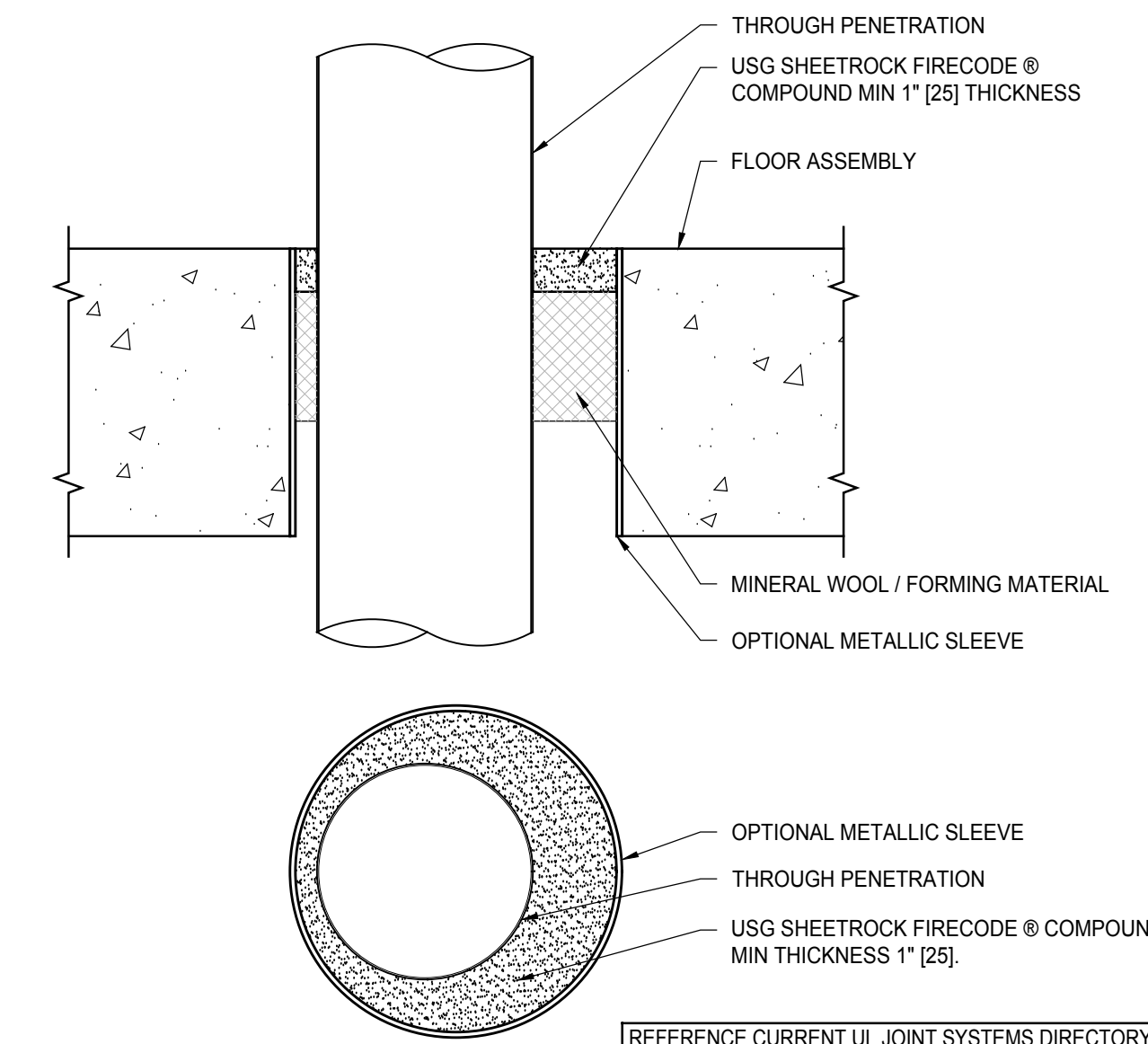


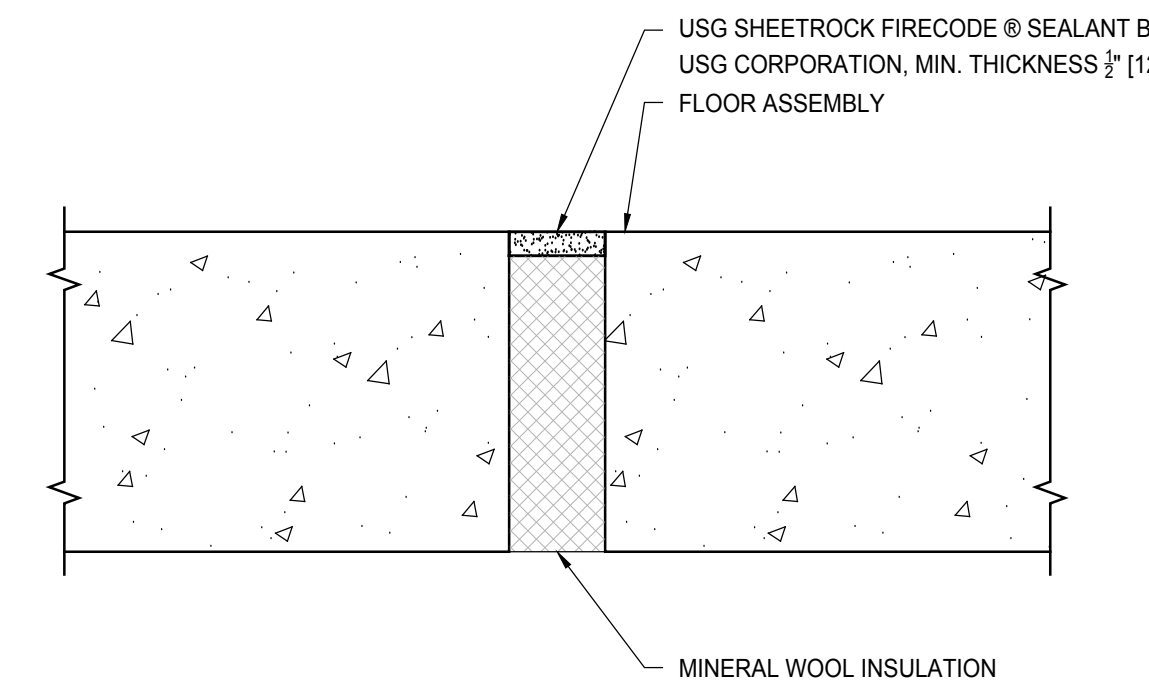
REFERENCE CURRENT UL JOINT SYSTEMS DIRECTORY FOR ALL GENERAL INFORMATION, MATERIAL DESIGNATIONS, THICKNESS AND FIRE RATINGS.

6 3 HR FLOOR SYSTEM NO. W-S-0036  
Scale: 3" = 1' - 0"



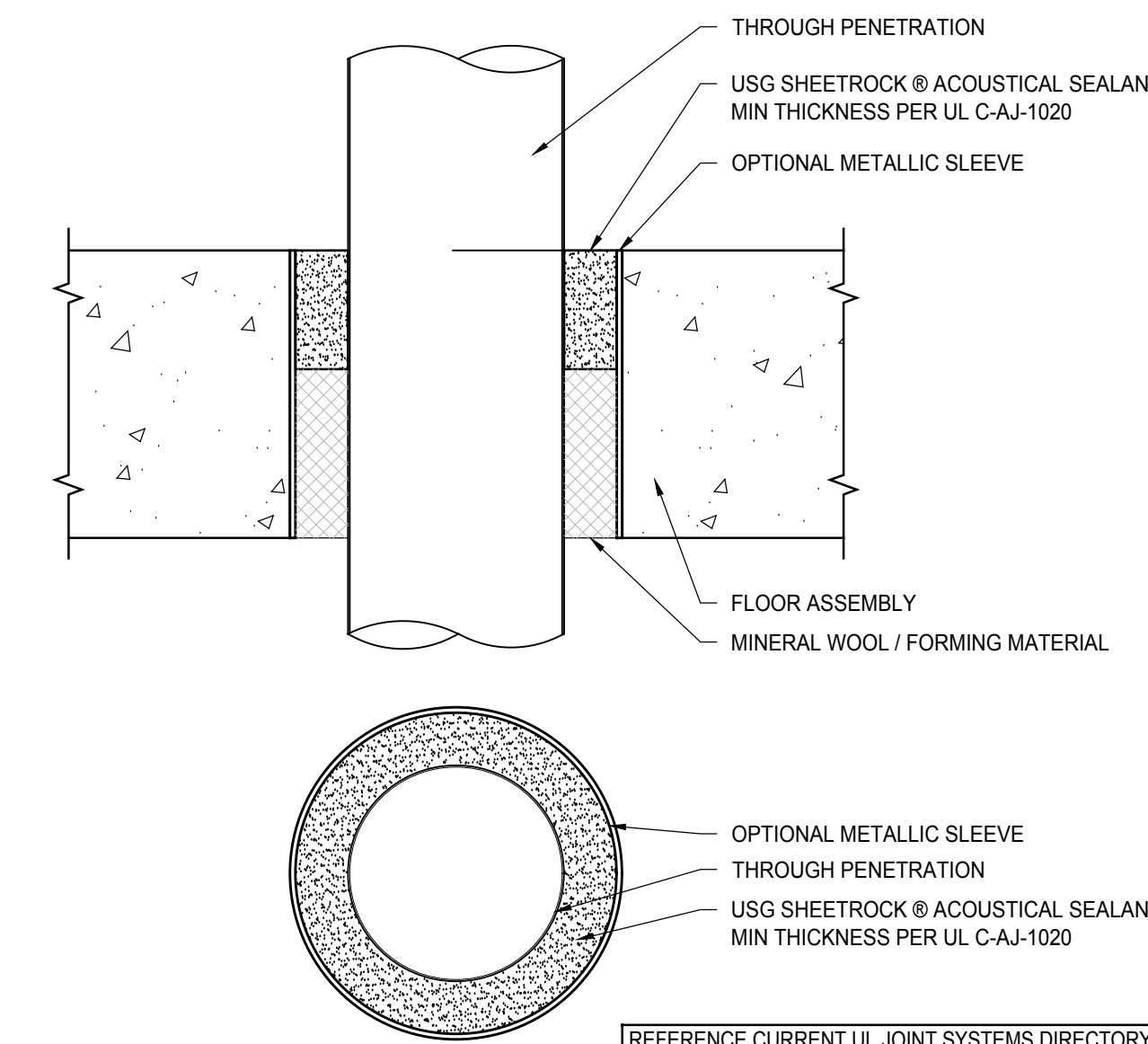
REFERENCE CURRENT UL JOINT SYSTEMS DIRECTORY FOR ALL GENERAL INFORMATION, MATERIAL DESIGNATIONS, THICKNESS AND FIRE RATINGS.

3 F-RATING 2 & 3HR / T-RATING 0HR  
SYSTEM NO. C-AJ-1081  
Scale: 3" = 1' - 0"



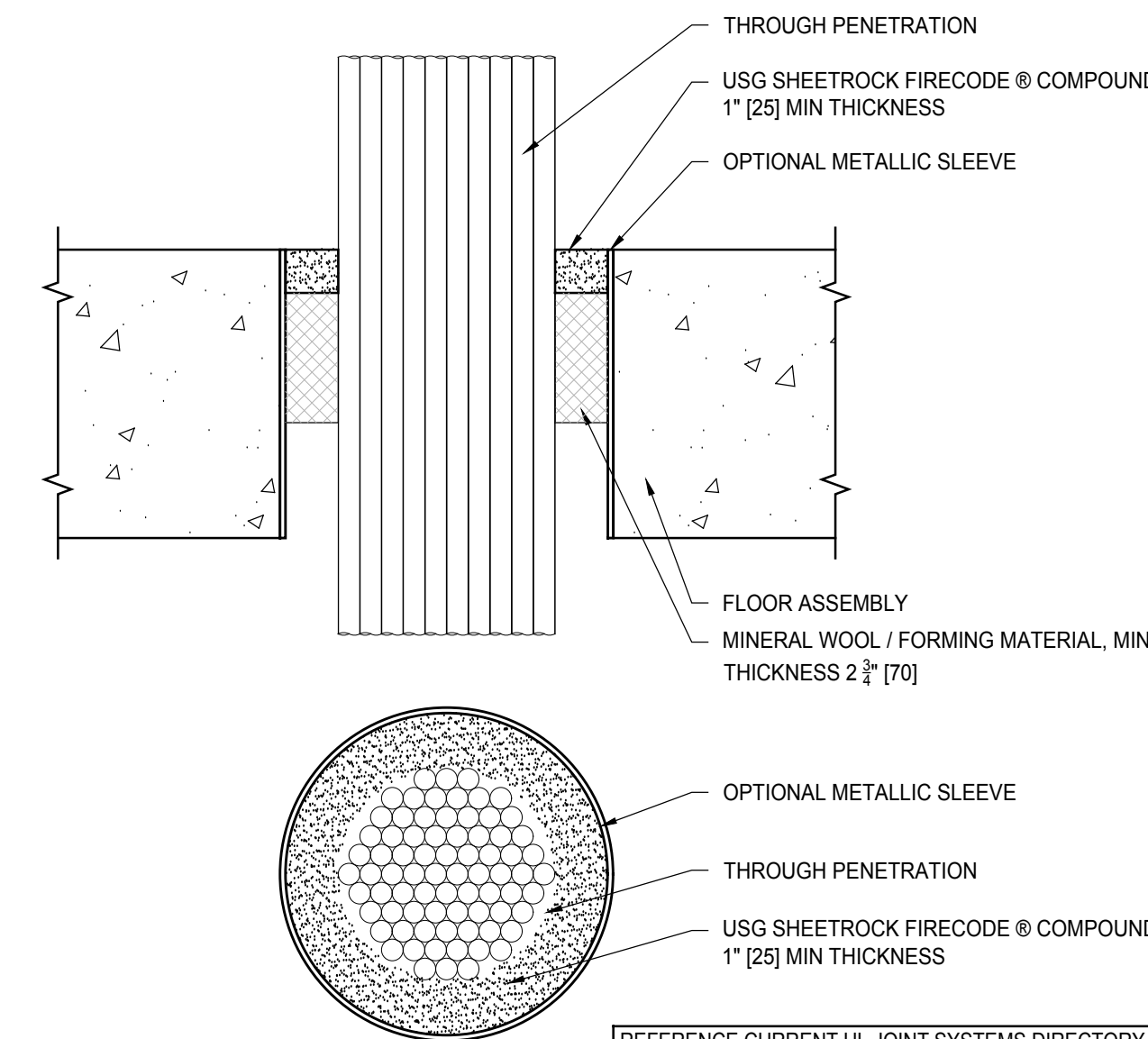
REFERENCE CURRENT UL JOINT SYSTEMS DIRECTORY FOR ALL GENERAL INFORMATION, MATERIAL DESIGNATIONS, THICKNESS AND FIRE RATINGS.

5 2 HR FLOOR SYSTEM NO. FF-S-0028  
Scale: 3" = 1' - 0"



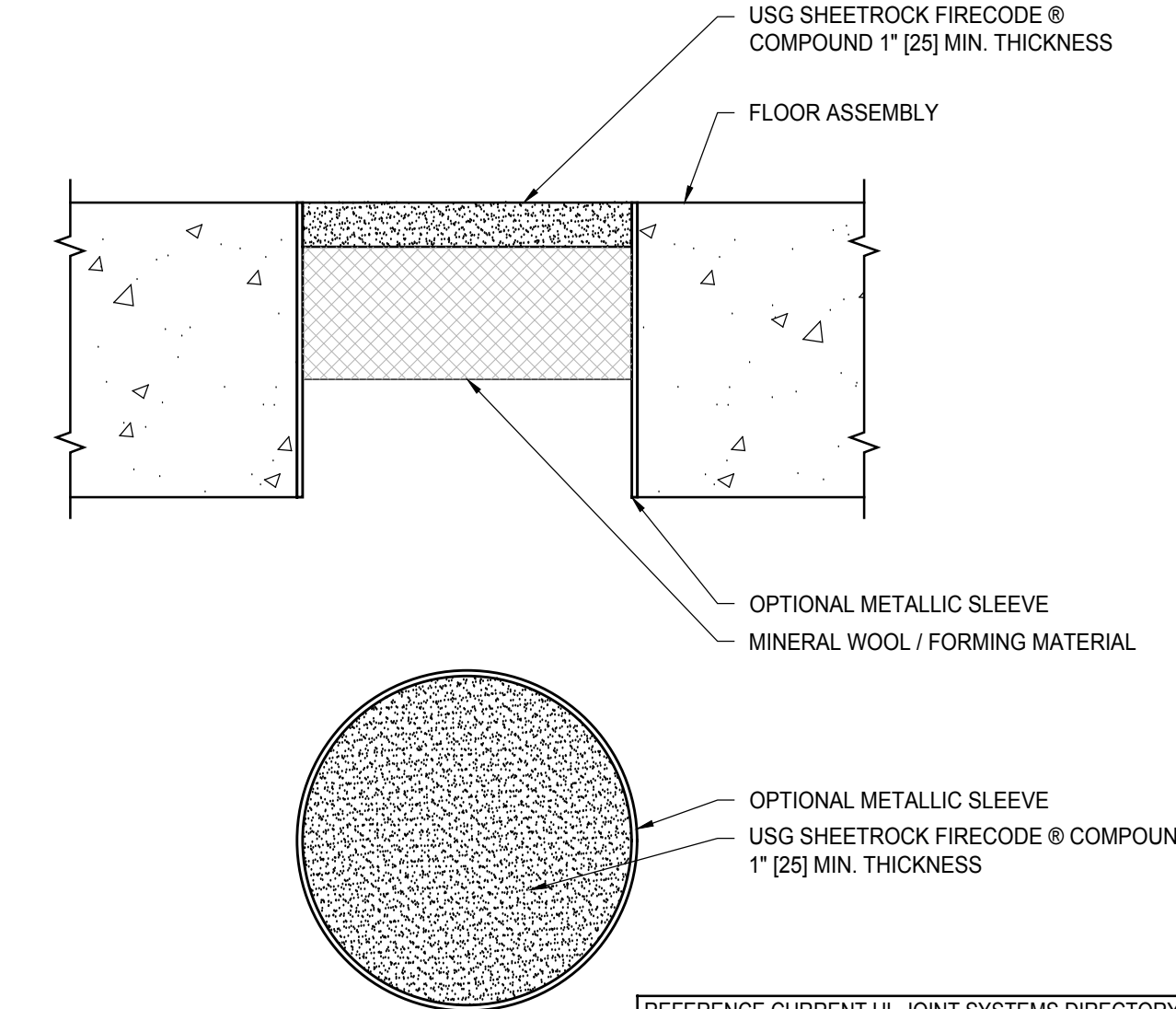
REFERENCE CURRENT UL JOINT SYSTEMS DIRECTORY FOR ALL GENERAL INFORMATION, MATERIAL DESIGNATIONS, THICKNESS AND FIRE RATINGS.

2 F-RATING 3 HR / T-RATING 1 HR  
SYSTEM NO. C-AJ-1020  
Scale: 3" = 1' - 0"



REFERENCE CURRENT UL JOINT SYSTEMS DIRECTORY FOR ALL GENERAL INFORMATION, MATERIAL DESIGNATIONS, THICKNESS AND FIRE RATINGS.

4 F-RATING 3HR/T-RATING 0HR  
SYSTEM NO. C-AJ-3045  
Scale: 3" = 1' - 0"



REFERENCE CURRENT UL JOINT SYSTEMS DIRECTORY FOR ALL GENERAL INFORMATION, MATERIAL DESIGNATIONS, THICKNESS AND FIRE RATINGS.

1 F-RATING 2&3 HR/ T-RATING 0&1 HR  
SYSTEM NO. C-AJ-0032  
Scale: 3" = 1' - 0"

ISSUE LOG

00	10/16/2015

SHEET INFORMATION  
THROUGH PENETRATION DETAILS