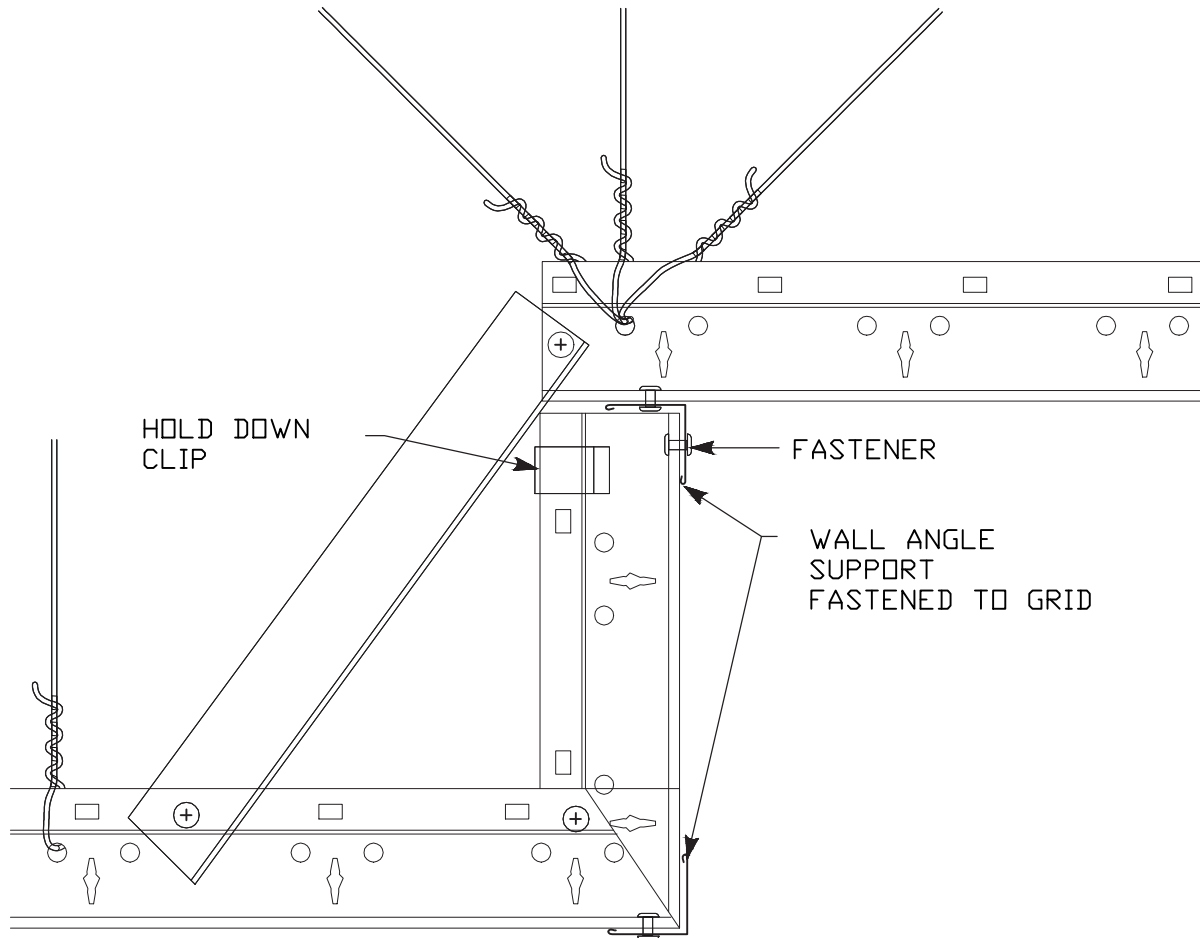


Seismic Elevation Change Bracing—IBC Categories D, E, F



© USG Corporation

SEISMIC-ELEVATIONCHANGE

SCALE:

DATE:

DETAIL
SHEET

UNITED STATES GYPSUM COMPANY

This SEISMIC CEILING DETAIL must not be used without a complete evaluation by owner's design professional to verify the suitability of the design for a given structure.