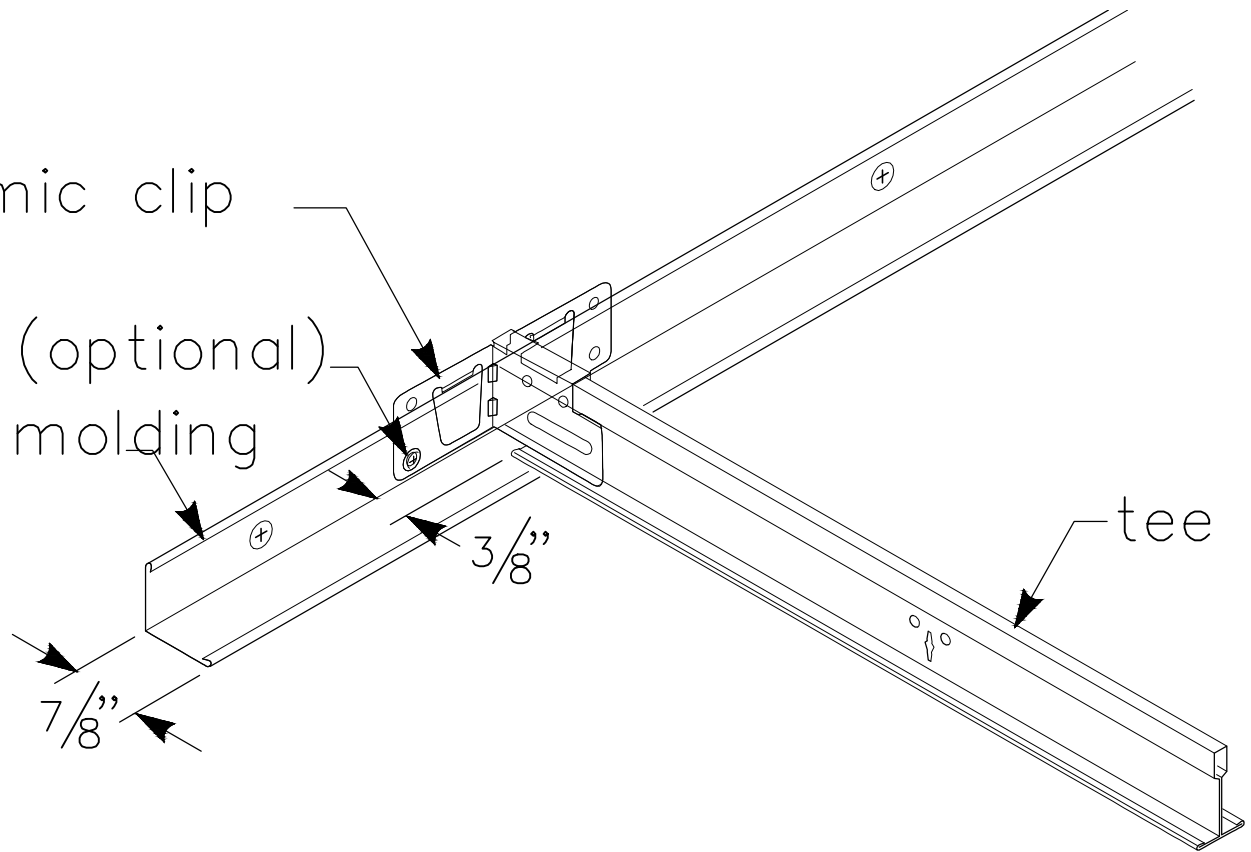


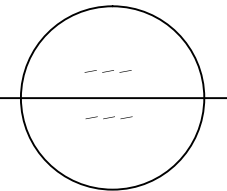
ACM7 seismic clip  
screw attached (optional)  
7/8" x 7/8" wall molding



Seismic-CAT C-ACM7 Clip

SCALE:

DATE:



**UNITED STATES GYPSUM COMPANY**

This Seismic Assembly detail must not be used without a complete evaluation by owner's design professional to verify the suitability of the design for a given structure.