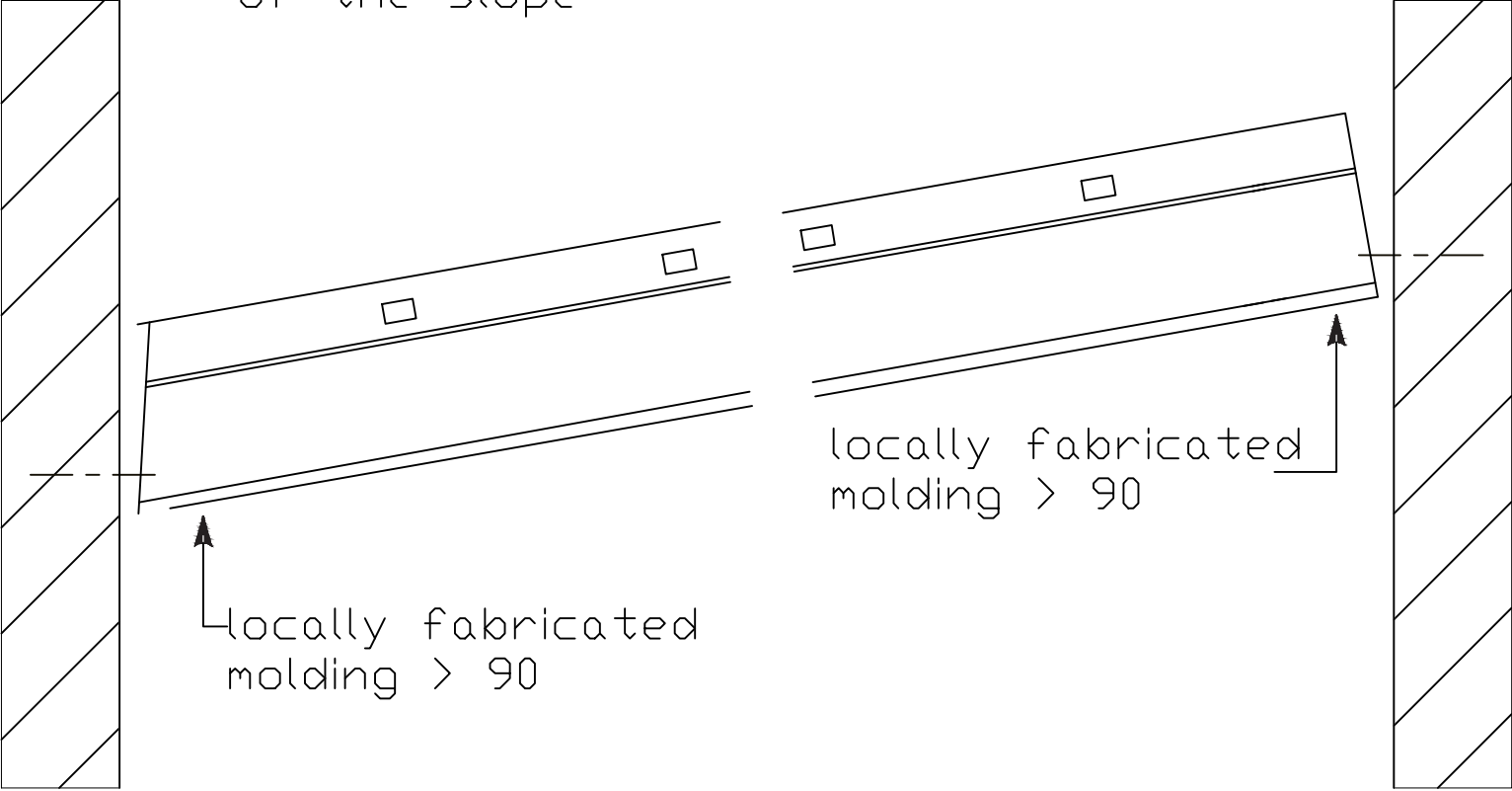


Fabricated locally source molding  
can be used to match the angles  
of the slope



Source Molding Angles

SCALE: NTS

DATE:

DETAIL  
SHEET

UNITED STATES GYPSUM COMPANY

This Sesimic Detail must  
not be used without a complete evaluation by owner's design professional  
to verify the suitability of the design for a given structure.