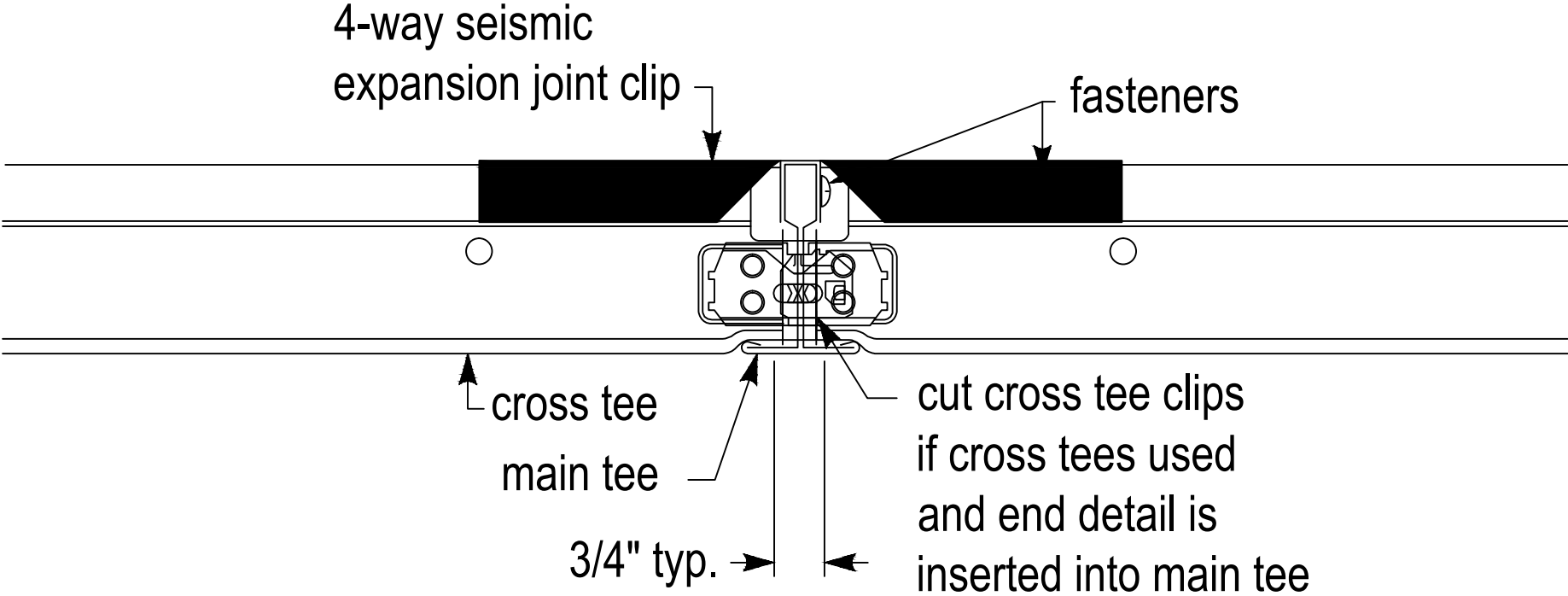


AC3271 4-Way Seismic Expansion Joint Clip Elevation

This USG System Detail must not be used without a complete evaluation by owner's design professional to verify the suitability of its use with your specific application.



USG Corporation
550 West Adams Street
Chicago, IL 60661-3676

Architectural and Technical Solutions
800-874-4968

Drawn by:
Approved:
Date: 6-27-08
Scale: NTS
File: