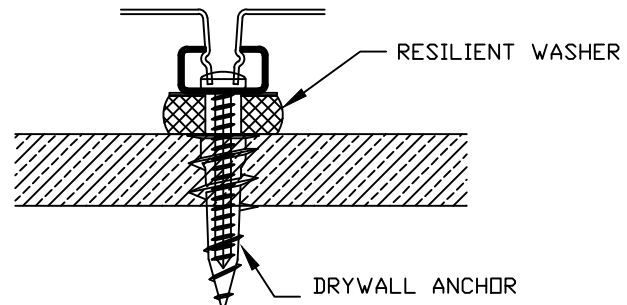


(A) PANEL EDGE CHANNEL ATTACHMENT



(B) PANEL ATTACHMENT