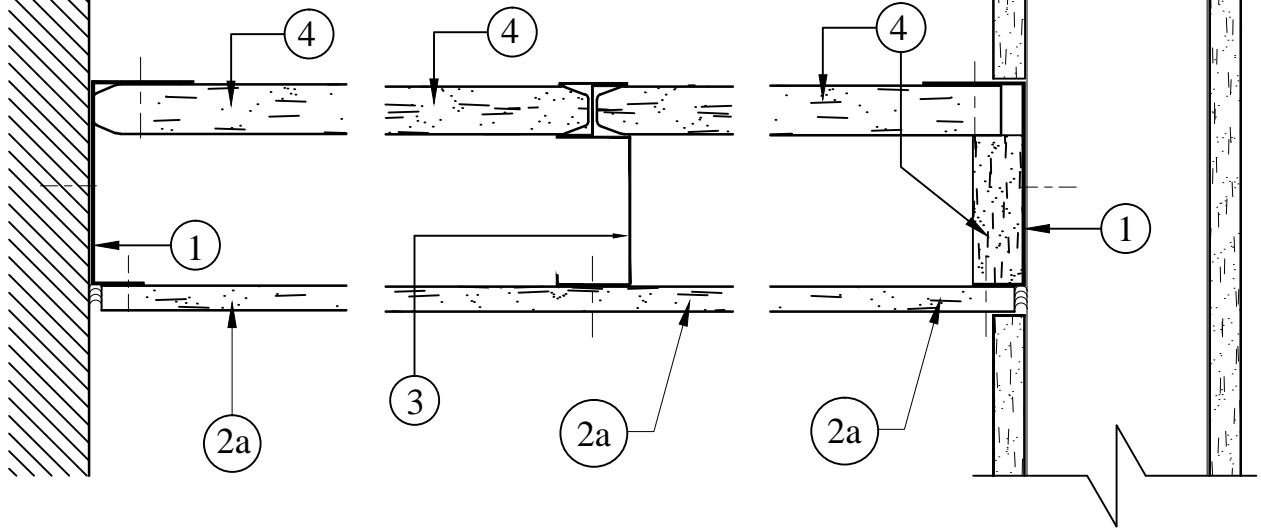
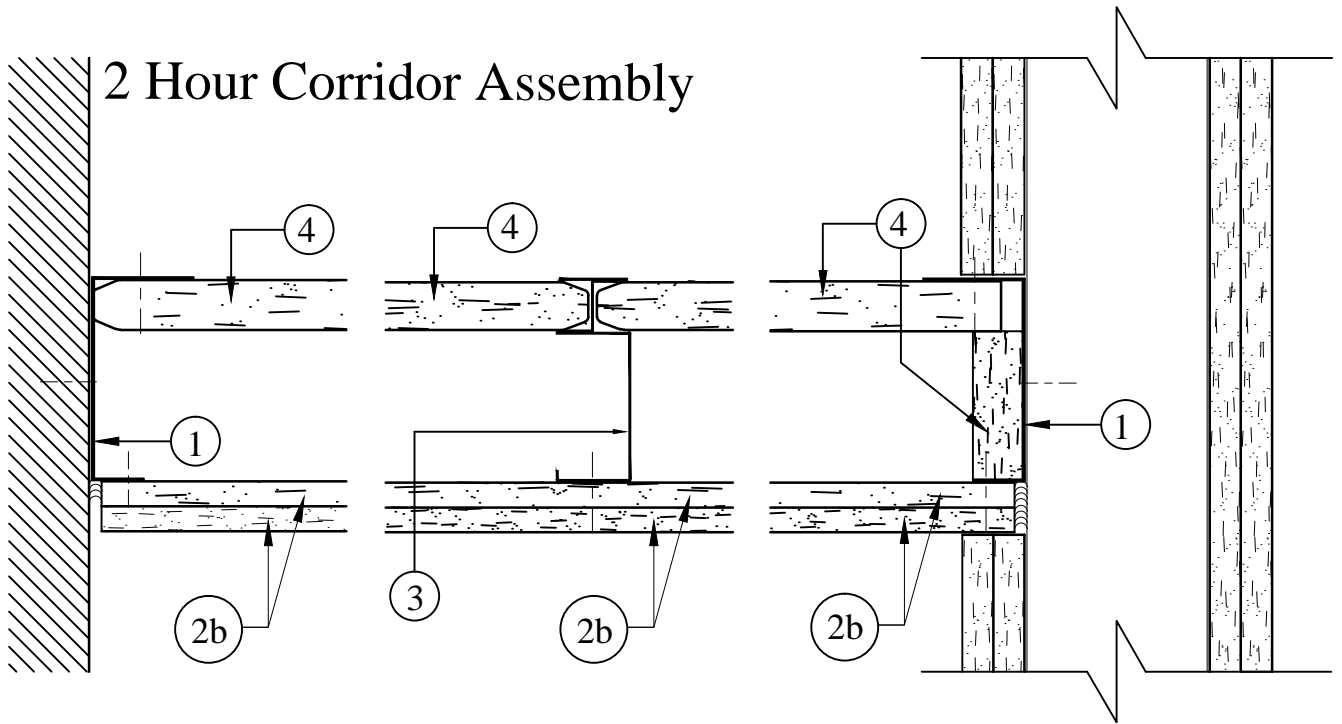


1 Hour Corridor Assembly



2 Hour Corridor Assembly



Shaft Wall - AER-09038

SCALE:

DATE:

UNITED STATES GYPSUM COMPANY

This Shaft Wall Detail must not be used without a complete evaluation by the owner's design professional to verify the suitability of the design for a given structure.

