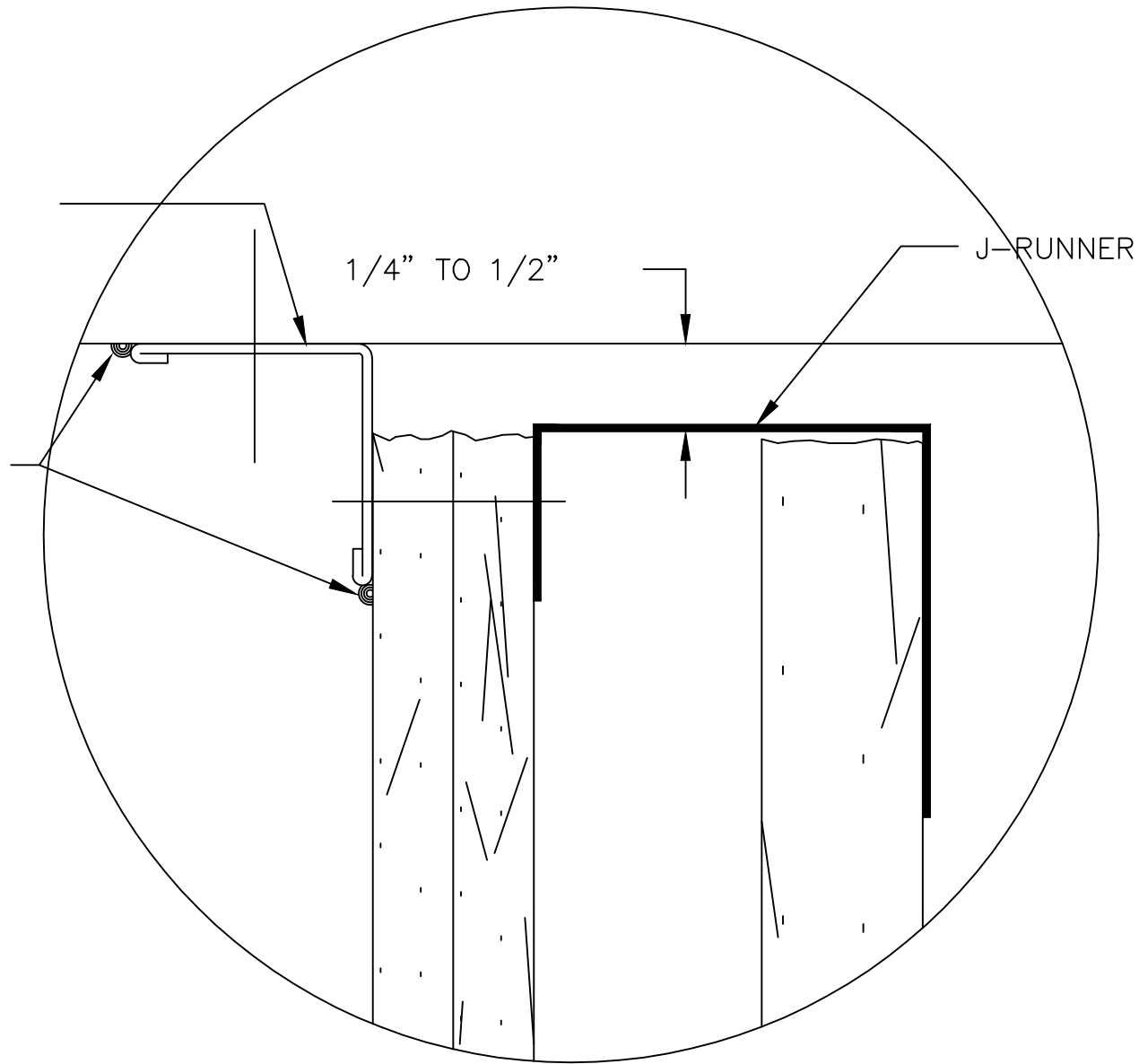


1 1/2"X1 1/2"X16  
GA ANGLE

SHEETROCK  
ACOUSTICAL  
SEALANT AS  
NECESSARY FOR  
SMOKE SEAL



### SHAFTWALL-DUCT PENETRATION

SCALE: FULL

DATE: 4/12/91

DETAIL  
SHEET

**UNITED STATES GYPSUM COMPANY**

This SHAFT WALL ASSEMBLY detail must  
not be used without a complete evaluation by owner's design professional  
to verify the suitability of the design for a given structure.