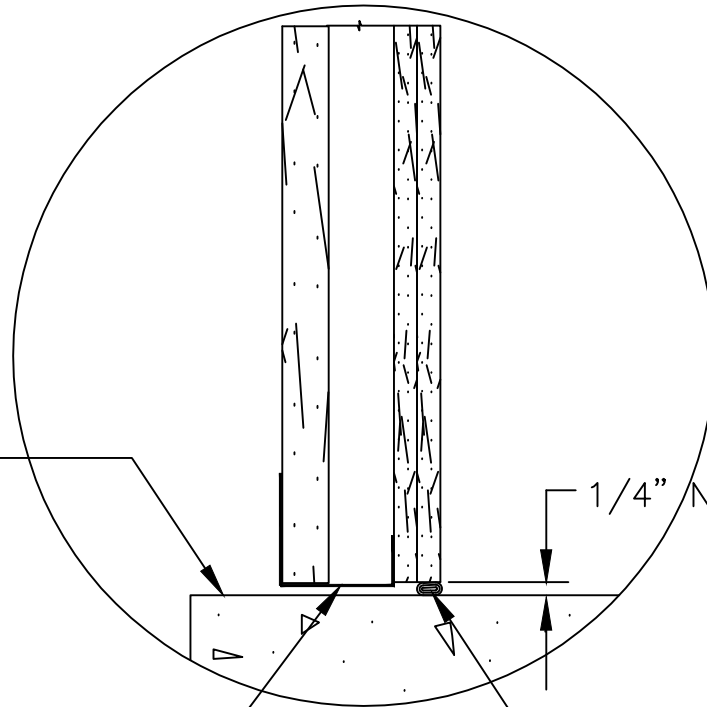


FINISHED FLOOR



1/4" NOM.

J-RUNNER-ATTACH WITH
ANCHORS 2'-0" O.C.

SHEETROCK
ACOUSTICAL
SEALANT

TEST REF: BEAM INTERFACE
2 HR. PRN./2 HR. BEAM
CEG 6-5-84

TWO-HOUR RATED SHAFT WALLS

SCALE: 3"=1'-0"

DATE: 4/3/91

DETAIL
SHEET

UNITED STATES GYPSUM COMPANY

This SHAFT WALL ASSEMBLY detail must
not be used without a complete evaluation by owner's design professional
to verify the suitability of the design for a given structure.