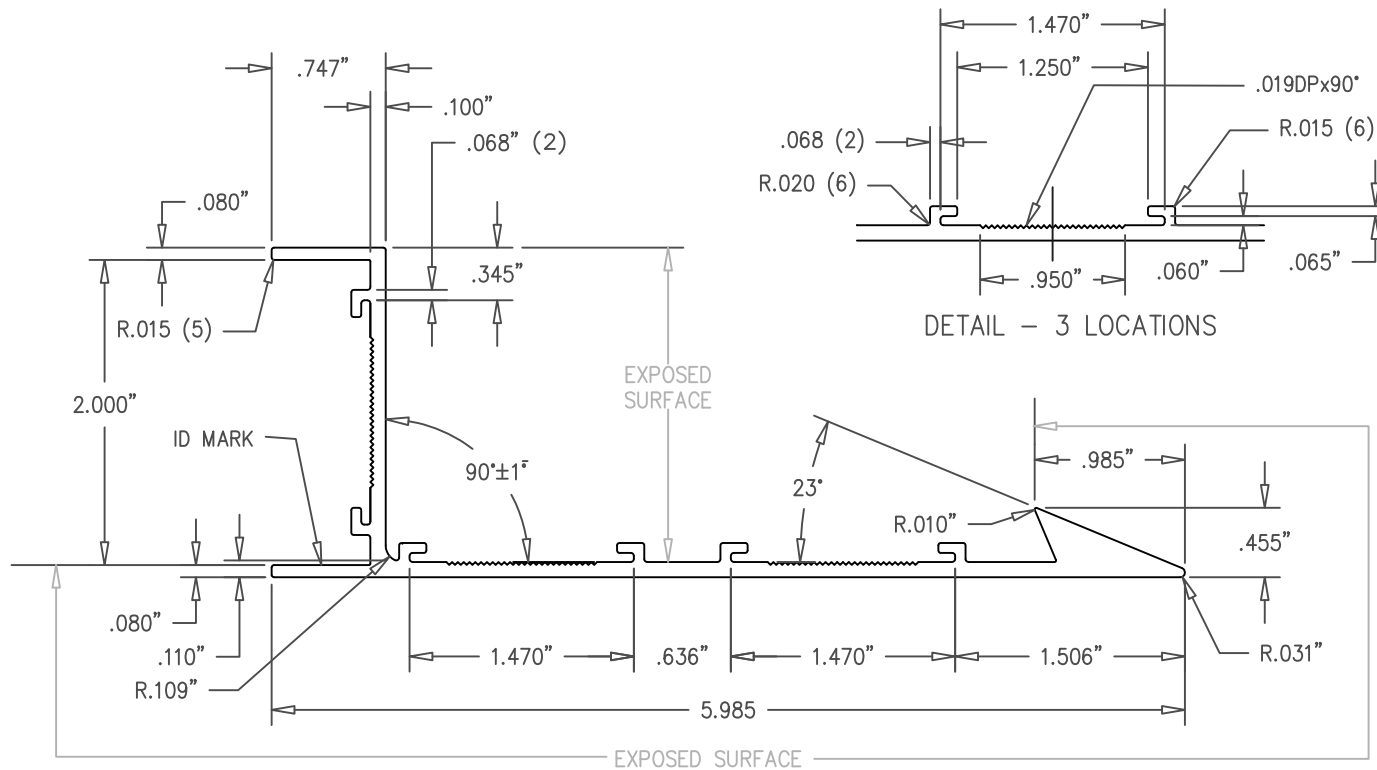


Compasso Slim Detail

Perimeter Trim

This USG System Detail must not be used without a complete evaluation by owner's design professional to verify the suitability of its use with your specific application.



Extruded aluminum 6063-T6
 Typical wall thickness: $.100 \pm .006$ " unless otherwise noted
 Typ. radius all corners & fillets: $.010$ " unless otherwise noted
 Tolerances: Standard Aluminum Association tolerances unless otherwise noted
 Flatness: Maximum allowable deviation from flat, $.004$ " per inch of width
 Straightness: $.125$ " per length
 Twist: 3° max.
 End cut squareness: $1/2^\circ$ each axis
 Length: $10'-0" + .250$ ", $-.000$ "
 Coating: PPG Industries Duracron

USG Corporation
 550 West Adams Street
 Chicago, IL 60661-3676

Architectural and Technical Solutions
 800-874-4968

Drawn by: ACW
 Approved:
 Date: 022208
 Scale: NTS
 File: